

Part Number Guide

T-V-S-FF.FFFM- FS-OT-OP -TU-S

T (Type型号): Q=FULL SIZE (14PIN) OSCILLATOR

V (Input Voltage输入电压): 3=3.3V 5=5.0V, etc

S (Symmetry占空比): 5=45/55 Max 6=40/60 Max

F (Frequency标称频率): Normal - 5 digitals of Frequency, e.g. 8.0000M, 12.000M

Special - All digitals of Frequency, e.g. 13.225625M

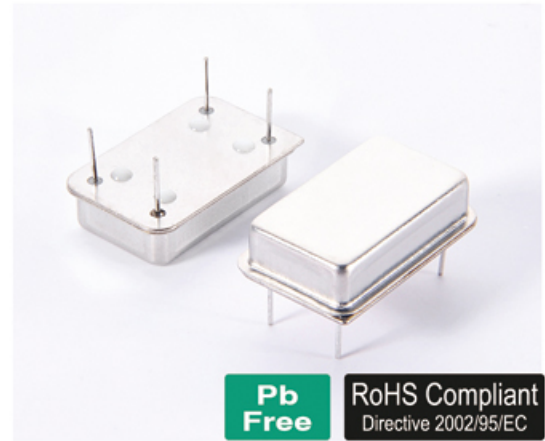
FS (Frequency Stability总频差): 50=±50 ppm, etc

OT (Operating Temperature工作温度): 0070= 0°C to +70°C 4085= -40°C to +85°C, etc

OP (Output输出): 1=15PF HCMOS 2=10TTL 3=30PF 4=50PF 5=10TTL/15PF

TU (Tube摆管)

S (Special Requirement特殊要求)



Pb Free

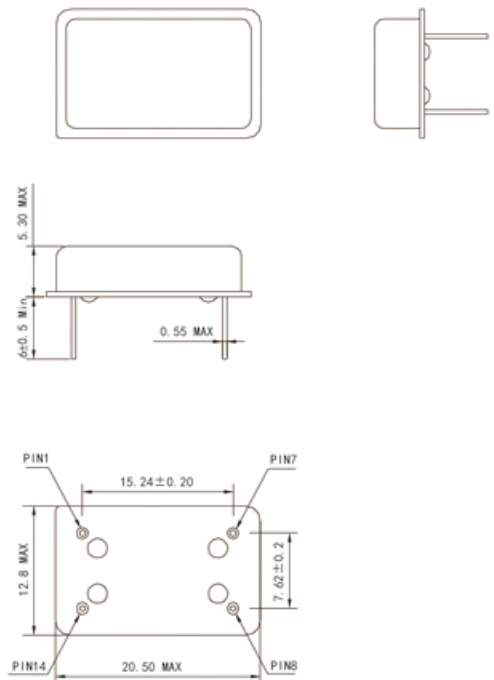
RoHS Compliant
Directive 2002/95/EC

Electrical Specifications 电气参数

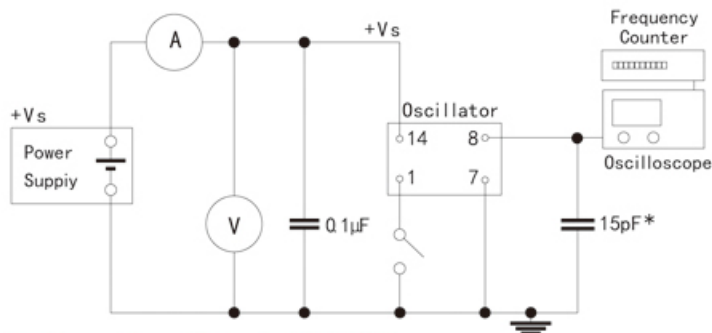
型号	Holder Type	FULL SIZE (14PIN) OSCILLATOR
频率范围	Frequency Range	1.0000MHz to 100.00MHz
总频差	Frequency Stability	±25ppm to ±50ppm
输入电压	Supply Voltage	5.0V or 3.3V ±10%
工作温度范围	Operating Temperature Range	-10°C ~ +60°C to -40°C ~ +85°C
储存温度范围	Storage Temperature Range	-40°C ~ +85°C / -55°C ~ +125°C
占空比	Symmetry (Duty Cycle)	40/60 Standard
输出	Output Load 5.0 V	10TTL or 15pF HCMOS
	Output Load 3.3 V	10TTL or 15pF HCMOS
消耗电流	Current Consumption 5.0V (15pf only)	1.0000MHz ~ 36.000MHz=25mA Max
		36.000MHz ~ 70.000MHz=60mA Max
		70.000MHz ~ 100.00MHz=80mA Max
	Current Consumption 3.3V (15pf only)	1.0000MHz ~ 36.000MHz=20mA Max
		36.000MHz ~ 70.000MHz=40mA Max
		70.000MHz ~ 100.00MHz=60mA Max
上升/下降时间	Rise/Fall Time	10nS Max

Mechanical Dimensions 外型尺寸

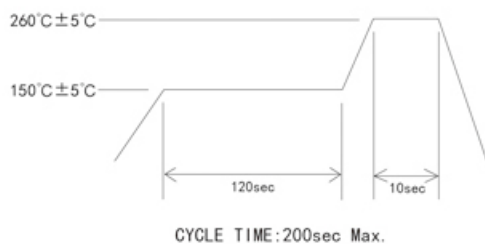
UNIT (单位): mm (毫米)



Test Circuit 测试电路



Reflow Condition 回流焊条件



PIN	FUNCTION
1	N/C or Tri-state
7	Ground
8	Output
14	Vdd